

Official Statistics
Game Seven
Marshall County vs. Conner

30th Girls

FARNHAM DUDGEON CIVIC CENTER • FRANKFORT, KENTUCKY • MARCH 20-23, 1991

OFFICIAL NCAA BASKETBALL BOX SCORE: *** FINAL ***

Date: 03-21-91 Site: Frankfort, Ky.

VISITORS (Last Name, First)

NO.	CONNER	Tot FG		3-POINT		FT	FTA	Rebounds			PF	TP	A	TO	BLK	S	TIME
		FG	FGA	FG	FGA			OFF	DEF	TOT							
15	Cooper, Holly	2	4	0	0	0	0	0	3	3	2	4	5	0	0	0	31:56
21	Pickett, Melea	4	6	0	0	2	2	1	2	3	0	10	1	0	0	1	31:56
12	Schmidt, Lori	3	6	0	0	0	0	3	6	9	2	6	1	4	1	3	31:56
14	Coppage, Mich.	2	3	0	0	1	2	0	1	1	3	5	2	2	1	4	30:41
24	Osborne, Christi	11	19	0	0	11	12	0	6	6	2	33	3	6	2	0	31:56
42	Beacom, Sandy	0	0	0	0	0	0	0	0	0	0	0	0	0	0	0	1:19
43	Hyatt, Shannon	0	0	0	0	0	0	0	0	0	0	0	0	0	0	0	0: 4
41	Zimmerman, Kelly	0	0	0	0	0	0	0	0	0	0	0	0	0	0	0	0: 4
33	Burcham, Brooke	0	0	0	0	0	0	0	0	0	0	0	0	0	0	0	0: 4
10	Ramsey, Allison	0	0	0	0	0	0	0	0	0	0	0	0	0	0	0	0: 4
TEAM REBOUNDS (INCLUDED IN TOTALS)									1	1							
TOTALS		22	38	0	0	14	16	4	19	23	9	58	12	12	4	8	160

TOTAL FG 1st HALF 6/11 54.5% 2nd HALF 16/27 59.3% GAME 22/ 38 57.9% DEADBALL
 3-POINT FG 1st HALF 0/ 0 0.0% 2nd HALF 0/ 0 0.0% GAME 0/ 0 0.0% REBOUNDS 2
 FREE THROWS 1st HALF 2/ 2 100.0% 2nd HALF 12/14 85.7% GAME 14/ 16 87.5%

HOME (Last Name, First)

NO.	MARSHALL COUNTY	Tot FG		3-POINT		FT	FTA	Rebounds			PF	TP	A	TO	BLK	S	TIME
		FG	FGA	FG	FGA			OFF	DEF	TOT							
23	Cadwell, R.	9	21	1	2	2	3	2	3	5	5	21	0	3	0	2	27:13
34	Drown, Laurinda	5	13	0	0	0	0	2	1	3	2	10	0	2	0	0	30:20
31	Gossom, Shannon	2	4	0	0	2	2	2	6	8	1	6	1	1	0	0	31:56
15	Lee, Missy	1	2	0	0	0	0	0	1	1	5	2	5	1	0	3	25:44
21	Roberts, Mary	3	9	0	0	0	0	0	1	1	2	6	2	2	0	3	25:23
42	Burkeen, Jen.	0	1	0	0	0	0	2	1	3	2	0	1	1	0	0	11:12
33	Pullen, Joy	2	2	0	0	0	0	0	0	0	1	4	0	0	0	1	3:19
22	Bohannon, Cassie	0	0	0	0	0	0	0	0	0	0	0	0	0	0	0	4:24
24	Lutz, Robin	0	1	0	1	0	0	0	0	0	0	0	0	0	0	0	0:21
40	Hall, April	0	0	0	0	0	0	0	0	0	0	0	0	0	0	0	0: 4
30	Coble, Christi	0	0	0	0	0	0	0	0	0	0	0	0	0	0	0	0: 4
TEAM REBOUNDS (INCLUDED IN TOTALS)								3	3								
TOTALS		22	53	1	3	4	5	11	13	24	18	49	9	10	0	9	160

TOTAL FG 1st HALF 7/15 46.7% 2nd HALF 15/38 39.5% GAME 22/ 53 41.5% DEADBALL
 3-POINT FG 1st HALF 0/ 0 0.0% 2nd HALF 1/ 3 33.3% GAME 1/ 3 33.3% REBOUNDS 1
 FREE THROWS 1st HALF 0/ 0 0.0% 2nd HALF 4/ 5 80.0% GAME 4/ 5 80.0%

OFFICIALS: Dennis Newton, Jay Asher, L. Howard-Alt.
 Technicals: None

SCORE BY PERIODS

CONNER 14 11 12 21 = 58
 MARSHALL COUNTY 14 6 12 17 = 49

Attendance: 5,025

COMMENTS: POINTS OFF TURNOVERS

CONNER 9 MARSHALL COUNTY 7 CONNER

SECOND CHANCE POINTS

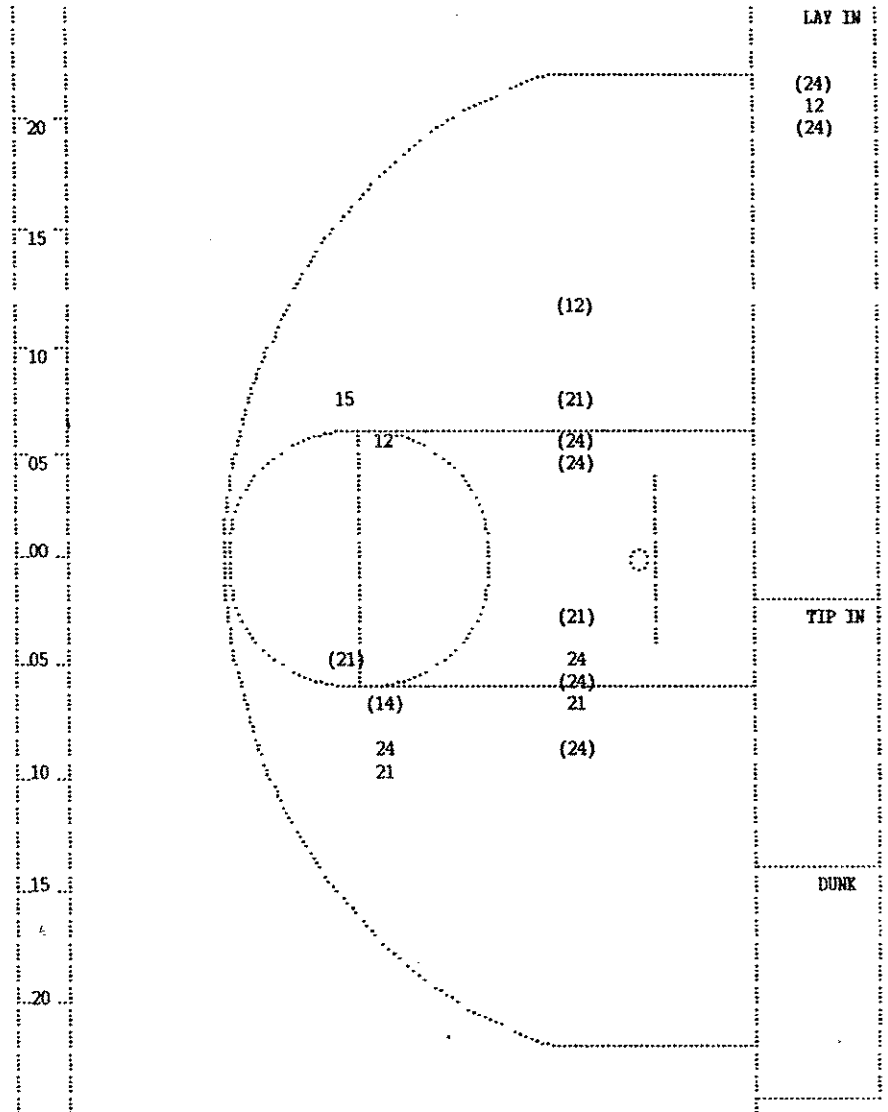
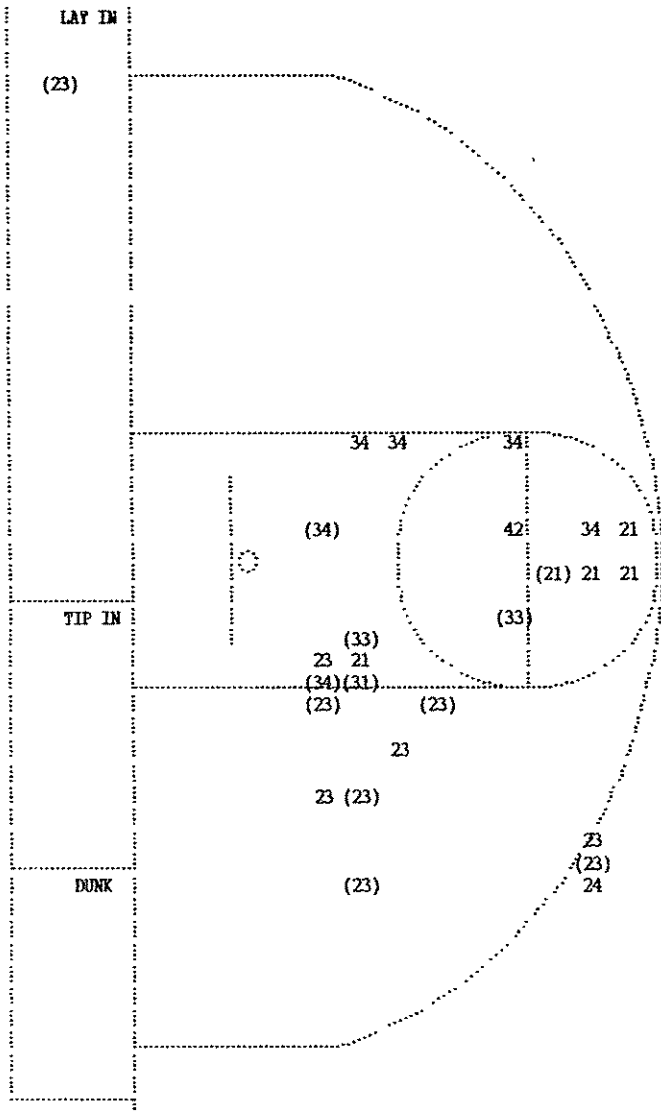
2 MARSHALL COUNTY 14

Player	Team	MARSHALL COUNTY	Time	Score	CONNER	Player	Team
1-1	100%	7-13 53.8%	6 ft Lane Jump shot by Pullen, Joy	4 :21.7	47-56*	Osborne,Christi, 2 Free Throws made both	6-6 100% 7-8 87.5%
1	6	Foul on Pullen, Joy		4 :14.8	*49-56		
				4 :04.8		Subs In: Beacom, Sandy, Hyatt, Shannon , Zimmerman,Kelly, Burcham, Brooke	
				4 :04.8		Out: Schmidt, Lori, Coppage, Mich. , Cooper, Holly, Pickett, Melea	
		Sub In: Hall, April Out: Gossom, Shannon		4 :04.8			
		Sub In: Coble, Christi Out: Drown, Laurinda		4 :04.8			
0-1	00.0%	7-14 50.0%	3 pt 21 ft Left Angle Jump sbot by Lutz, Robin, missed	4 :04.8	49-58*	Osborne,Christi, 2 Free Throws made both	8-8 100% 9-10 90.0%
				4 :04.8		Sub In: Ramsey, Allison Out: Osborne,Christi	
				4 :00.2			

FINAL III - A Product of L E X I C O - N S P O R T S
 (C) Copyright Davies & Associates, Inc.
 All Rights Reserved

MARSHALL COUNTY				Time	Score	CONNER				Player	Team
Cadwell, R., Drown, Laurinda, Gossom, Shannon, Lee, Missy, Roberts, Mary						Cooper, Holly, Pickett, Melea, Schmidt, Lori, Coppage, Mich., Osborne, Christi					
				4 7:37	32-39*	4 ft Lane SHOT Alley Oop by Osborne, Christi				1-1	100%
						Ball to Cougars				1	1
						Assist by Cooper, Holly					
1-1	100%	1-1	100%	4 7:25	*34-39	Foul on Schmidt, Lori				1	1
1-1	100%	1-1	100%	4 7:25	*35-39						
				4 7:23		REB: 0 A: 1 BLK: 0 TO: 0 PF: 1					
						S: 0 FT: 0-0 00.0% FG: 1-1 100%					
				T I M E - O U T		CONNER No. 1					
				4 7:17	35-41*	6 ft Left Side Driving by Osborne, Christi				2-2	100%
				4 6:54	*37-41						
2-2	100%	2-2	100%	4 6:40	37-43*	6 ft Left Side Fast Break by Osborne, Christi				3-3	100%
1		1		4 6:27	*39-43						
				4 6:23	39-45*	3 ft Lane Fast Break by Pickett, Melea				1-1	100%
						Assist by Osborne, Christi				1	2
						Steal by Schmidt, Lori				1	1
				4 6:01							
				4 6:00							
				4 5:32		Foul on Coppage, Mich.				1	2
				4 5:31		Player Control Foul Coppage, Mich.				1	1
3-3	100%	4-4	100%	4 5:17	*42-45						
1		2		4 4:37	42-47*	15 ft Lane Jump shot by Pickett, Melea				2-2	100%
						Assist by Cooper, Holly				2	3
				4 4:27		Foul on Schmidt, Lori				2	3
				4 4:25		Foul on Osborne, Christi				1	4
2-3	66.6%	2-3	66.6%	4 4:25	*43-47						
1		1		4 4:21							
				4 4:21							
				4 4:21	43-49*	Driving Layup by Osborne, Christi				4-4	100%
2-2	100%	5-6	83.3%	4 3:41	*45-49						
1		3									
				4 3:39		REB: 0 A: 3 BLK: 0 TO: 1 PF: 4					
						S: 1 FT: 0-0 00.0% FG: 6-6 100%					
				T I M E - O U T		No. 1 MARSHALL COUNTY					
				4 2:54		Steal by Roberts, Mary					
				4 2:53		Dribbling Error on Schmidt, Lori				1	2
				4 2:47		Foul on Cooper, Holly				1	5
				4 2:19							
				4 2:19	45-51*	Osborne, Christi, 2 Free Throws made both				2-2	100%
				4 1:53							
				4 1:52	45-52*	Coppage, Mich., 2 Free Throws missed 1st made 2nd				1-2	50.0%
				4 1:26							
				4 1:26		REB: 3 A: 3 BLK: 1 TO: 2 PF: 5					
						S: 1 FT: 3-4 75.0% FG: 6-6 100%					
				T I M E - O U T		No. 2 MARSHALL COUNTY					
				4 1:26		Sub In: Bohannon, Cassie Out: Roberts, Mary					
				4 1:26	45-54*	Osborne, Christi, 2 Free Throws made both				4-4	100%
1-1	100%	6-12	50.0%	4 1:01	*47-54						
1		4				6 ft Lane Jump shot by Gossom, Shannon					
						Assist by Lee, Missy					
1		5		4 :24.3		Foul on Lee, Missy					
				4 :21.7		Sub In: Pullen, Joy Out: Lee, Missy					
				4 :21.7		Sub In: Lutz, Robin Out: Burkeen, Jen.					

Player	Team	MARSHALL COUNTY	Time	Score	CONNOR	Player	Team
Cadwell, R., Drown, Laurinda, Gossom, Shannon, Lee, Missy, Roberts, Mary					Cooper, Holly, Pickett, Melea, Schmidt, Lori, Coppage, Mich., Osborne, Christi		
Ball to Lady Marshals							
1	1	Foul on Lee, Missy	3	7:32			
Sub In: Burkeen, Jen. Out: Lee, Missy							
2-2	100%	2-2	100%	Gossom, Shannon, 2 Free Throws made both			
1-2	50.0%	1-3	33.3%	14 ft Lane Jump shot by Roberts, Mary			
Foul on Cadwell, R.							
1	2		3	4:36			
REB: 2 A: 0 BLK: 0 TO: 0 PF: 2					REB: 3 A: 2 BLK: 0 TO: 0 PF: 1		
S: 0 FT: 2-2 100% FG: 1-5 20.0%					S: 0 FT: 0-0 00.0% FG: 3-4 75.0%		
No. 1 MARSHALL COUNTY TIME - O U T							
Sub In: Lee, Missy Out: Burkeen, Jen.							
1-3	33.3%	2-6	33.3%	15 ft Left Side Jump shot by Cadwell, R.			
1	1	Assist by Roberts, Mary	3	4:35			
2	3	Foul on Lee, Missy	3	4:35	24-33* 8 ft Right Side Jump shot by Osborne, Christi	2-3	66.6% 4-5 80.0%
Sub In: Pullen, Joy Out: Roberts, Mary							
Sub In: Burkeen, Jen. Out: Drown, Laurinda							
2-4	50.0%	3-8	37.5%	10 ft Left Angle Jump shot by Cadwell, R.			
1	1	Bad Pass by Cadwell, R.	3	2:58			
Sub In: Bohannon, Cassie Out: Lee, Missy							
1-1	100%	4-10	40.0%	12 ft Lane Jump shot by Pullen, Joy			
Sub In: Drown, Laurinda Out: Burkeen, Jen.							
1	2	Dribbling Error on Gossom, Shannon	3	2:58	26-35* Osborne, Christi, 2 Free Throws made both	2-2	100% 2-2 100%
3-7	42.8%	5-12	41.6%	Driving Layup by Cadwell, R.			
2	4	Foul on Cadwell, R.	3	2:58	*28-35		
Sub In: Burkeen, Jen. Out: Cadwell, R.							
1	5	Foul on Burkeen, Jen.	3	2:22	Steal by Pickett, Melea	1	1
1	1	Steal by Pullen, Joy	3	2:21			
Sub In: Drown, Laurinda Out: Burkeen, Jen.							
1-1	100%	4-10	40.0%	12 ft Lane Jump shot by Pullen, Joy			
1	1	Steal by Pullen, Joy	3	2:08	28-37* 8 ft Left Side Turnaround by Pickett, Melea	1-2	50.0% 5-10 50.0%
Sub In: Drown, Laurinda Out: Burkeen, Jen.							
1	1	Steal by Pullen, Joy	3	1:50	*30-37		
Sub In: Drown, Laurinda Out: Burkeen, Jen.							
1	1	Steal by Pullen, Joy	3	1:47	Other Schmidt, Lori	1	1
Sub In: Drown, Laurinda Out: Burkeen, Jen.							
1	1	Steal by Pullen, Joy	3	1:46	Steal by Coppage, Mich.	1	2
Sub In: Drown, Laurinda Out: Burkeen, Jen.							
1	1	Steal by Pullen, Joy	3	1:42			
Sub In: Drown, Laurinda Out: Burkeen, Jen.							
1	1	Steal by Pullen, Joy	3	1:04	*32-37		
Sub In: Drown, Laurinda Out: Burkeen, Jen.							
1	1	Steal by Pullen, Joy	3	:26.1			
Sub In: Drown, Laurinda Out: Burkeen, Jen.							
1	1	Steal by Pullen, Joy	3	:26.1			
Sub In: Drown, Laurinda Out: Burkeen, Jen.							
1	1	Steal by Pullen, Joy	3	:16.4			
Sub In: Drown, Laurinda Out: Burkeen, Jen.							
1	1	Steal by Pullen, Joy	3	:00.3			
Sub In: Drown, Laurinda Out: Burkeen, Jen.							
1	1	Steal by Pullen, Joy	3	:00.3	Dribbling Error on Schmidt, Lori	2	2



MARSHALL COUNTY					
Player	Player	Player	Player	Player	Player
23 - Cadwell, R	6/10 60.0%	33 - Pullen, Jo	2/ 2 100.0%		
34 - Drown, Lau	2/ 6 33.3%	42 - Burkeen, J	0/ 1 0.0%		
31 - Gosson, Sh	1/ 1 100.0%				
21 - Roberts, M	1/ 5 20.0%				
24 - Lutz, Robi	0/ 1 0.0%				
Layups	1-9 Ft	10-15 Ft	Over 15 Ft	3 Pointers	Total
1 / 1	5 / 9	5 / 9	0 / 4	1 / 3	12 / 26
100.0%	55.6%	55.6%	0.0%	33.3%	46.2%

CONNOR					
Player	Player	Player	Player	Player	Player
15 - Cooper, Ho	0/ 1 0.0%				
21 - Pickett, M	3/ 5 60.0%				
12 - Schmidt, L	1/ 3 33.3%				
14 - Coppage, M	1/ 1 100.0%				
24 - Osborne, Ch	6/ 8 75.0%				
Layups	1-9 Ft	10-15 Ft	Over 15 Ft	3 Pointers	Total
2 / 3	6 / 8	3 / 6	0 / 1		11 / 18
66.7%	75.0%	50.0%	0.0%		61.1%

OFFICIAL NCAA BASKETBALL BOX SCORE: * OFFICIAL FIRST HALF *
 Date: 03-21-91 Site:Frankfort, Ky.

VISITORS (Last Name, First)

NO.	CONNER	Tot FG		3-POINT		FT	FTA	Rebounds			PF	TP			A	TO	BLK	S	TIME
		FG	FGA	FG	FGA			OFF	DEF	TOT									
15	Cooper, Holly	2	3	0	0	0	0	0	2	2	1	4		1	0	0	0	16:00	
21	Pickett, Melea	1	1	0	0	2	2	0	1	1	0	4		1	0	0	0	16:00	
12	Schmidt, Lori	2	3	0	0	0	0	1	5	6	0	4		1	1	0	2	16:00	
14	Coppage, Mich.	1	2	0	0	0	0	0	1	1	2	2		2	1	1	3	14:45	
24	Osborne, Christi	5	11	0	0	1	2	0	2	2	0	11		2	6	2	0	16:00	
42	Beacom, Sandy	0	0	0	0	0	0	0	0	0	0	0		0	0	0	0	1:15	
TEAM REBOUNDS (INCLUDED IN TOTALS)								1 1											
TOTALS		11	20	0	0	3	4	1	12	13	3	25		7	8	3	5	80	

TOTAL FG 1st HALF 6/11 54.5% 2nd HALF 5/9 55.6% GAME 11/20 55.0% DEADBALL
 3-POINT FG 1st HALF 0/0 0.0% 2nd HALF 0/0 0.0% GAME 0/0 0.0% REBOUNDS 0
 FREE THROWS 1st HALF 2/2 100.0% 2nd HALF 1/2 50.0% GAME 3/4 75.0%

HOME (Last Name, First)

NO.	MARSHALL COUNTY	Tot FG		3-POINT		FT	FTA	Rebounds			PF	TP			A	TO	BLK	S	TIME
		FG	FGA	FG	FGA			OFF	DEF	TOT									
23	Cadwell, R.	3	11	0	0	0	0	1	2	3	2	6		0	2	0	2	16:00	
34	Drown, Laurinda	3	7	0	0	0	0	2	1	3	0	6		0	2	0	0	15:36	
31	Gossom, Shannon	1	3	0	0	0	0	0	4	4	1	2		0	0	0	0	16:00	
15	Lee, Missy	1	2	0	0	0	0	0	1	1	2	2		4	1	0	3	16:00	
21	Roberts, Mary	2	4	0	0	0	0	0	1	1	1	4		0	1	0	2	13:47	
42	Burkeem, Jen.	0	0	0	0	0	0	0	0	0	1	0		0	1	0	0	2:37	
TEAM REBOUNDS (INCLUDED IN TOTALS)								2 2											
TOTALS		10	27	0	0	0	0	5	9	14	7	20		4	7	0	7	80	

TOTAL FG 1st HALF 7/15 46.7% 2nd HALF 3/12 25.0% GAME 10/27 37.0% DEADBALL
 3-POINT FG 1st HALF 0/0 0.0% 2nd HALF 0/0 0.0% GAME 0/0 0.0% REBOUNDS 0
 FREE THROWS 1st HALF 0/0 0.0% 2nd HALF 0/0 0.0% GAME 0/0 0.0%

OFFICIALS: Dennis Newton, Jay Asher, L. Howard-Alt.
 Technicals: None

SCORE BY PERIODS

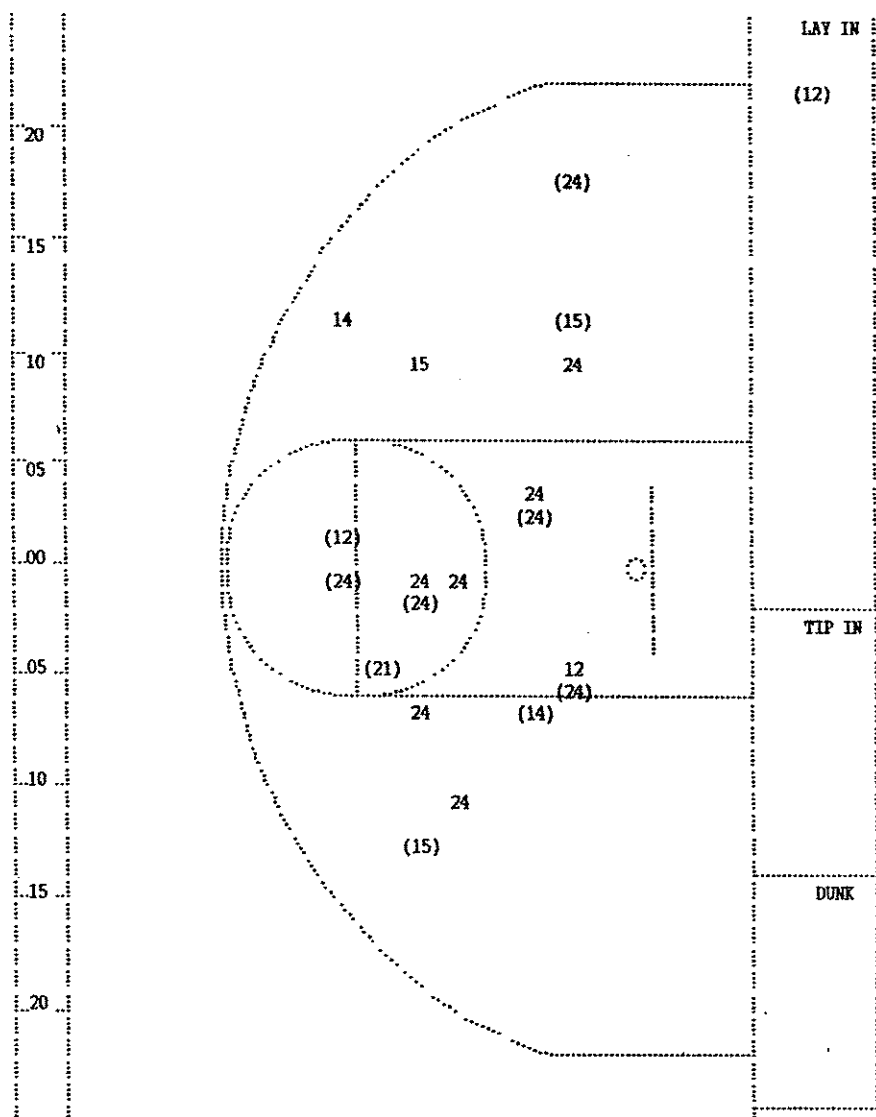
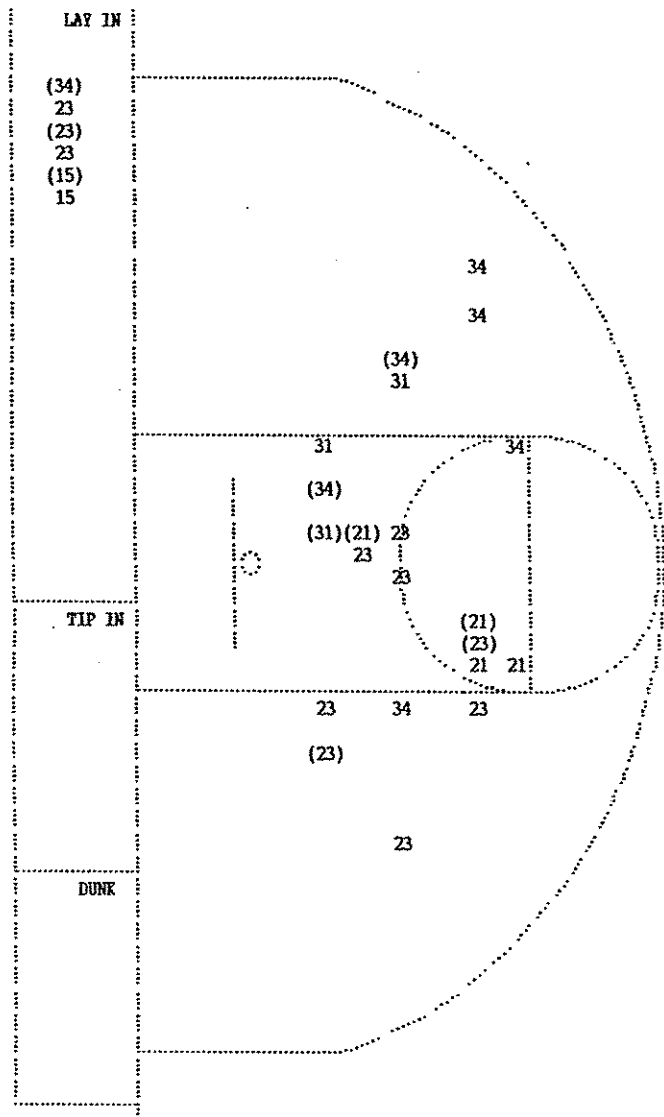
CONNER 14 11 = 25
 MARSHALL COUNTY 14 6 = 20

Attendance:

COMMENTS:	POINTS OFF TURNOVERS	SECOND CHANCE POINTS
CONNER	7 MARSHALL COUNTY	0 MARSHALL COUNTY
	4 CONNER	4

Player	Team	MARSHALL COUNTY	Time	Score	CONNER	Player	Team
Cadwell, R., Drown, Laurinda, Gosson, Shannon, Lee, Missy, Roberts, Mary					Cooper, Holly, Pickett, Melea, Schmidt, Lori, Coppage, Mich., Osborne, Christi Ball to Cougars		
1	1	Foul on Roberts, Mary	2	7:44			
1-1	100%	1-1 100%	10 ft Lane Jump shot by Roberts, Mary	2	7:31 *16-14		
				2	7:05 16-16*	7 ft Lane Jump shot by Coppage, Mich. Assist by Osborne, Christi	1-1 100% 1-2 50.0%
1	1	Steal by Lee, Missy	2	6:48	Foul on Coppage, Mich.	1	1
				2	6:34		1
				2	6:33	Dribbling Error on Osborne, Christi	1
1-1	100%	2-3 66.6%	Fast Break Layup by Lee, Missy	2	6:31 *18-16		1
				2	6:22	Out-of-Bounds by Coppage, Mich.	1
1	2	Foul on Gosson, Shannon	2	5:54			2
				2	5:52 18-18*	13 ft Lane Jump shot by Pickett, Melea Assist by Coppage, Mich.	1-1 100% 2-3 66.6%
2	2	Steal by Lee, Missy	2	5:22		1	2
				2	5:22	Alternate Possession Turnover by Osborne, Christi	2
		Sub In: Burkeen, Jen. Out: Roberts, Mary		2	5:22		3
1	3	Foul on Burkeen, Jen.	2	5:10			
1	1	Other Burkeen, Jen.	2	5:09			
				2	4:53 18-20*	16 ft Right Side Jump shot by Cooper, Holly Assist by Osborne, Christi	1-1 100% 3-4 75.0%
1	2	Traveling Violation on Lee, Missy	2	4:37		2	3
1	4	Foul on Lee, Missy	2	4:10			
				2	3:46	Steal by Coppage, Mich.	1
1	3	Bad Pass by Drown, Laurinda	2	3:45			1
				2	3:27 18-22*	10 ft Lane Turnaround by Osborne, Christi	1-3 33.3% 4-6 66.6%
1	5	Foul on Cadwell, R. Sub In: Roberts, Mary Out: Burkeen, Jen.	2	3:09			
				2	3:09 18-24*	14 ft Lane Jump shot by Schmidt, Lori Assist by Cooper, Holly	1-1 100% 5-7 71.4%
				2	2:10	Foul on Coppage, Mich.	1
				2	1:17	Steal by Schmidt, Lori	2
1	4	Bad Pass by Roberts, Mary	2	1:16		1	2
2	6	Foul on Lee, Missy	2	1:15			
				2	1:15 20-25*	Osborne, Christi, 2 Free Throws made 1st missed 2nd Sub In: Beacom, Sandy Out: Coppage, Mich.	1-2 50.0% 1-2 50.0%
				2	1:15		
		Sub In: Burkeen, Jen. Out: Drown, Laurinda		2	:24.1	Foul on Cooper, Holly	1
1-4	25.0%	3-12 25.0%	10 ft Lane Turnaround by Cadwell, R.	2	:24.1		3
				2	:24.8 *22-25		

Player	Team	MARSHALL COUNTY		Time	Score	CONNER	Player	Team			
Cadwell, R., Drown, Laurinda, Gossom, Shannon, Lee, Missy, Roberts, Mary						Cooper, Holly, Pickett, Melea, Schmidt, Lori, Coppage, Mich., Osborne, Christi					
Ball to Lady Marshals				1 7:35	0-2*	18 ft Left Side Jump shot by Osborne, Christi	1-1	100%	1-1	100%	
						Assist by Pickett, Melea	1		1		
1-1	100%	1-2	50.0%	3 ft Lane Fast Break by Gossom, Shannon	1 7:23	*2-2					
1		1		Assist by Lee, Missy	1 7:16						
1		1		Steal by Lee, Missy	1 7:14		1		1		
				1 7:13	*4-2	Bad Pass by Schmidt, Lori					
1-1	100%	2-3	66.6%	4 ft Lane Fast Break by Roberts, Mary	1 6:49						
2		2		Assist by Lee, Missy	1 6:48		1		2		
1		2		Steal by Roberts, Mary	1 6:17	*6-2					
1-2	50.0%	3-5	60.0%	Fast Break Layup by Drown, Laurinda	1 5:57	6-4*	12 ft Left Side Jump shot by Cooper, Holly	1-1	100%	2-3	66.6%
3		3		Assist by Lee, Missy			Assist by Schmidt, Lori	1		2	
				1 5:40		Steal by Coppage, Mich.	1		1		
1		1		Bad Pass by Drown, Laurinda	1 5:27						
				1 5:14		Steal by Coppage, Mich.	2		2		
1		2		Bad Pass by Cadwell, R.	1 5:13						
				1 5:09	6-6*	Fast Break Layup by Schmidt, Lori	1-2	50.0%	3-5	60.0%	
						Assist by Coppage, Mich.	1		3		
1-4	25.0%	4-8	50.0%	Driving Layup by Cadwell, R.	1 4:14	*8-6					
1		1		Foul on Cadwell, R.	1 4:01						
				1 4:01	8-8*	Pickett, Melea, 2 Free Throws made both	2-2	100%	2-2	100%	
1		3		Steal by Cadwell, R.	1 3:40						
				1 3:38		Dribbling Error on Osborne, Christi	2		3		
2-3	66.6%	5-11	45.4%	4 ft Lane Bank by Drown, Laurinda	1 3:18	8-10*	14 ft Lane Jump shot by Osborne, Christi	2-3	66.6%	4-7	57.1%
4		4		Assist by Lee, Missy	1 2:59	*10-10					
				1 2:42	10-12*	4 ft Lane Bank by Osborne, Christi	3-4	75.0%	5-8	62.5%	
3-4	75.0%	6-13	46.1%	12 ft Right Side Bank by Drown, Laurinda	1 2:21	*12-12					
2		4		Steal by Cadwell, R.	1 1:49						
				1 1:48		Bad Pass by Osborne, Christi	3		4		
2-7	28.5%	7-15	46.6%	8 ft Left Side Jump shot by Cadwell, R.	1 1:08	*14-12					
				1 :51.3	14-14*	6 ft Lane Bank by Osborne, Christi	4-7	57.1%	6-11	54.5%	
				1 :37.1		Steal by Schmidt, Lori	1		3		
2		3		Bad Pass by Cadwell, R.	1 :36.1						
2		5		Steal by Roberts, Mary	1 :31.3						
				1 :29.0		Bad Pass by Osborne, Christi	4		5		



MARSHALL COUNTY				
Player	Player	Player	Player	Player
23 - Cadwell, R	3/11	27.2%		
34 - Brown, Lau	3/7	42.8%		
31 - Gosson, Sh	1/3	33.3%		
15 - Lee, Missy	1/2	50.0%		
21 - Roberts, M	2/4	50.0%		
Layups	1-9 Ft	10-15 Ft	Over 15 Ft	3 Pointers Total
3 / 6	4 / 10	3 / 9	0 / 2	10 / 27
50.0%	40.0%	33.3%	0.0%	37.0%

CONNOR				
Player	Player	Player	Player	Player
15 - Cooper, Ho	2/3	66.6%		
21 - Pickett, M	1/1	100.0%		
12 - Schmidt, L	2/3	66.6%		
14 - Coppage, M	1/2	50.0%		
24 - Osborne, Ch	5/11	45.4%		
Layups	1-9 Ft	10-15 Ft	Over 15 Ft	3 Pointers Total
1 / 1	3 / 6	5 / 10	2 / 3	11 / 20
100.0%	50.0%	50.0%	66.7%	55.0%